

CLIMO PERFECT C+ TYPELISTE

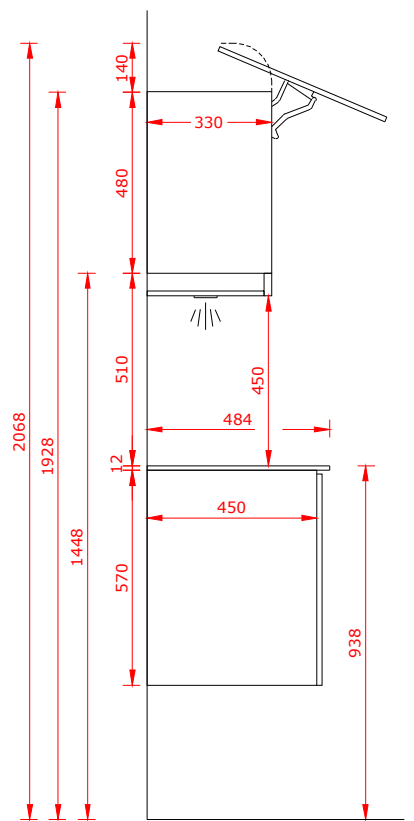
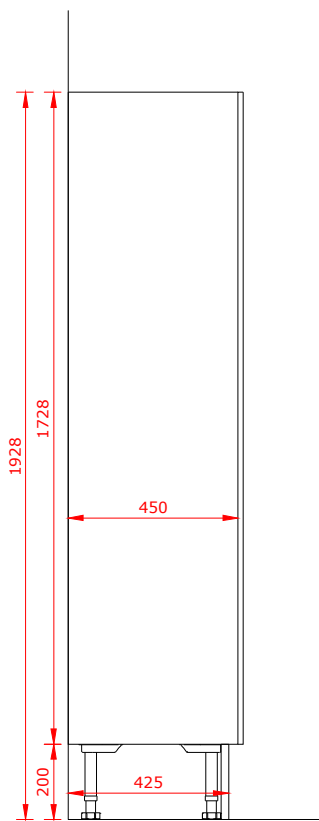
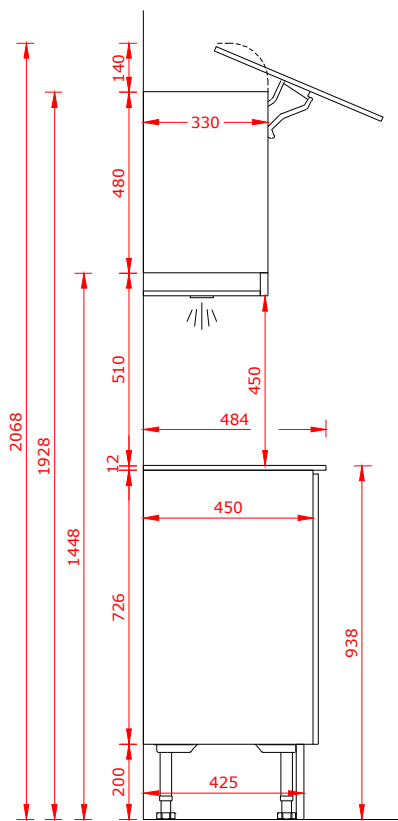
JANUAR 2025

**danish
healthcare
design**





Målskitse
 Maßzeichnung
 Dimensional drawing



C+ Soft - Standard

C+ Soft - Kompakt



Danish Healthcare
Design A/S
Drejøvej 8
9500 Hobro

+45 9851 1633
info@dhdas.dk
www.dhdas.dk
CVR nr. 64194615

climo